


TIMOTEC

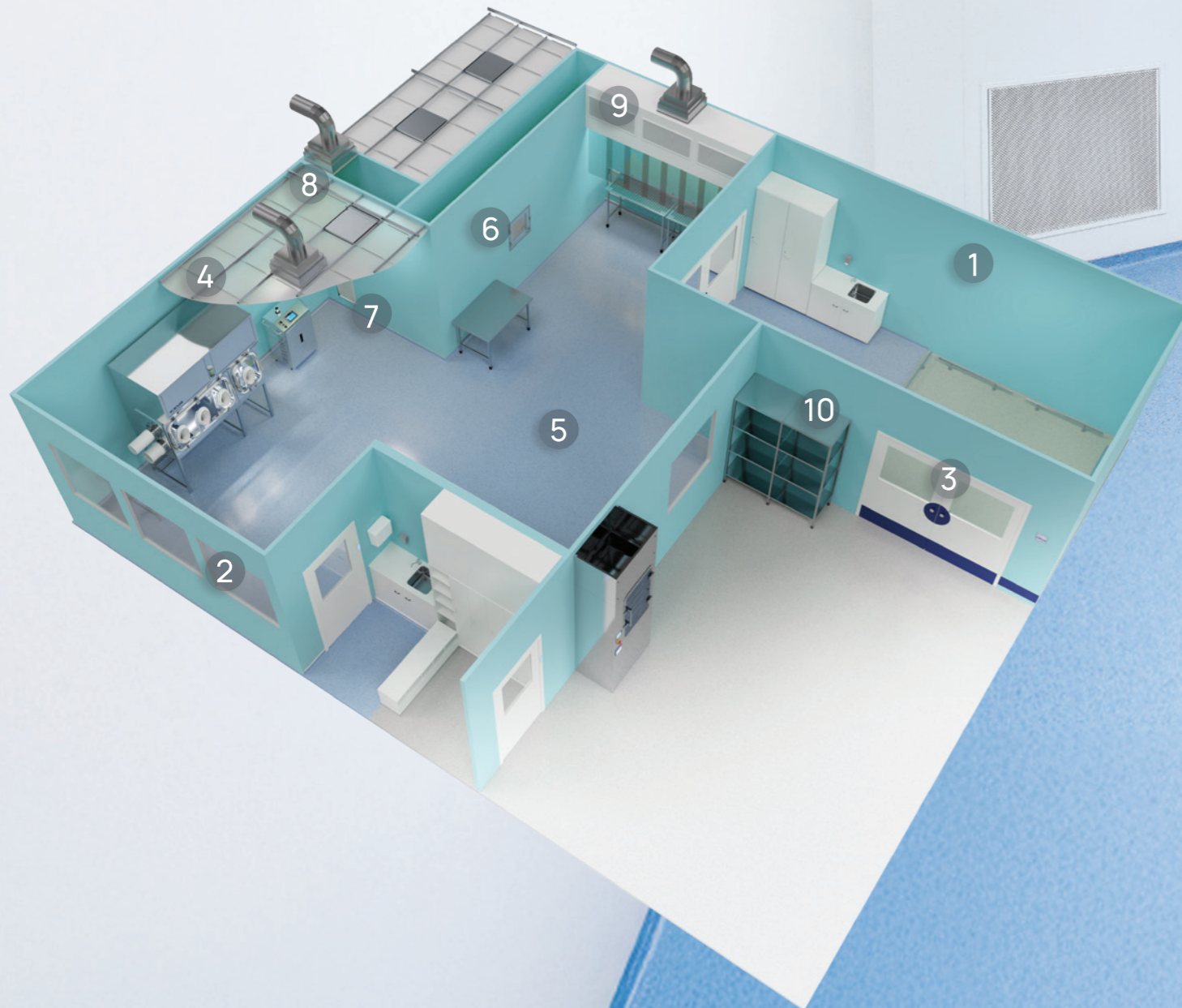


Cleanrooms
systems

CLEANROOM COMPONENTS

Cleanroom is solved as a assembled modular **built-in into the existing building**. The very term "built-in" simply means a space withing a space.

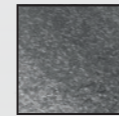
For cleanroom built-ins we develop and manufacture **our own systems**. These systems consist of mutually compatible structural components and are highly variable and flexible.



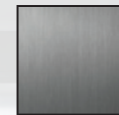
- 1 Wall systems
- 2 Glazing
- 3 Doors
- 4 Ceilings
- 5 Floors
- 6 Pass-through cabinets
- 7 Air terminal devices
- 8 Filtration adapters
- 9 Circulation units
- 10 Stainless steel furniture

WALL SYSTEMS

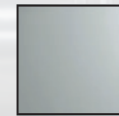
Materials



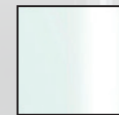
Galvanized steel sheet



Stainless steel sheet (AISI 304 / AISI 316)

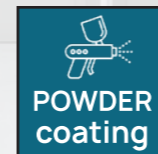


Aluminium sheet



Glass

Surface Finishing



POWDER
coating



PVC
laminated



POLYESTER
coating

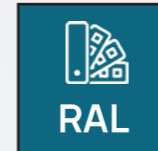


AISI
304
SB
finish

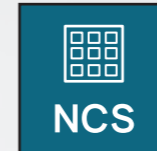


AISI
316
SB
finish

Colors



RAL



NCS

Options

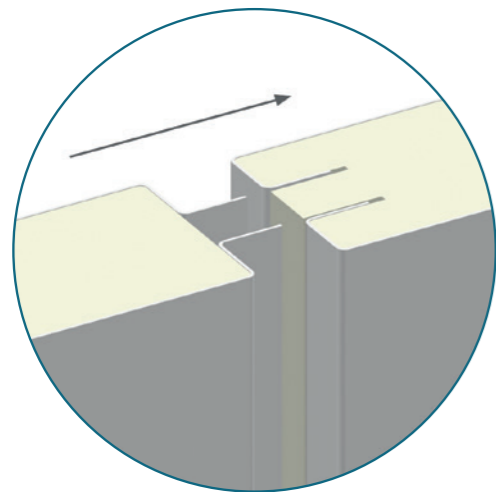
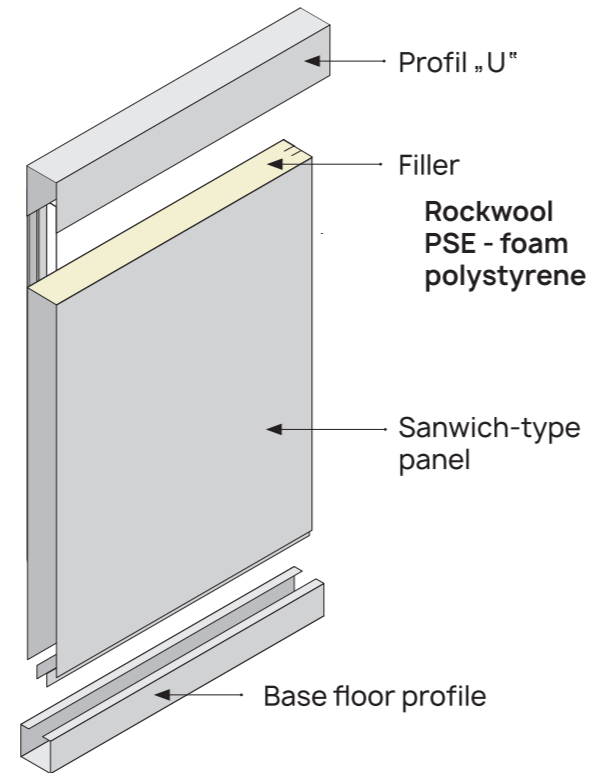


ANTI-
BACTERIAL

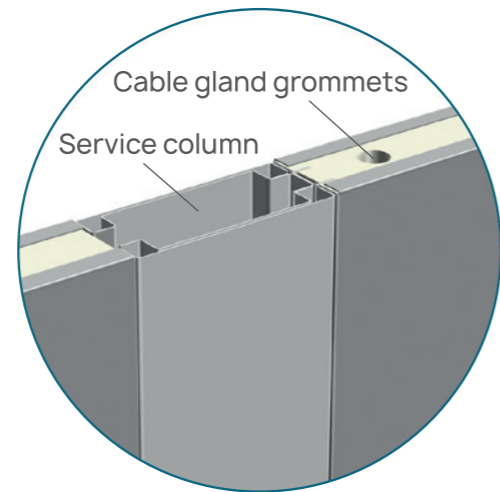
Material & Color

Panel System 102.01/C

- **Sandwich-type panels**, consisting of an outer casing and an inner core, and are **self-supporting**, with tongue-and-groove connection.
- **Vertical segmentation** of panels.
- A **service column** for media distribution can be integrated, and electrical cable gland grommets are prepared within the panel core.
- They meet the parameters for an **explosive atmosphere**.



Joining of panels



Joining of panels with
service column

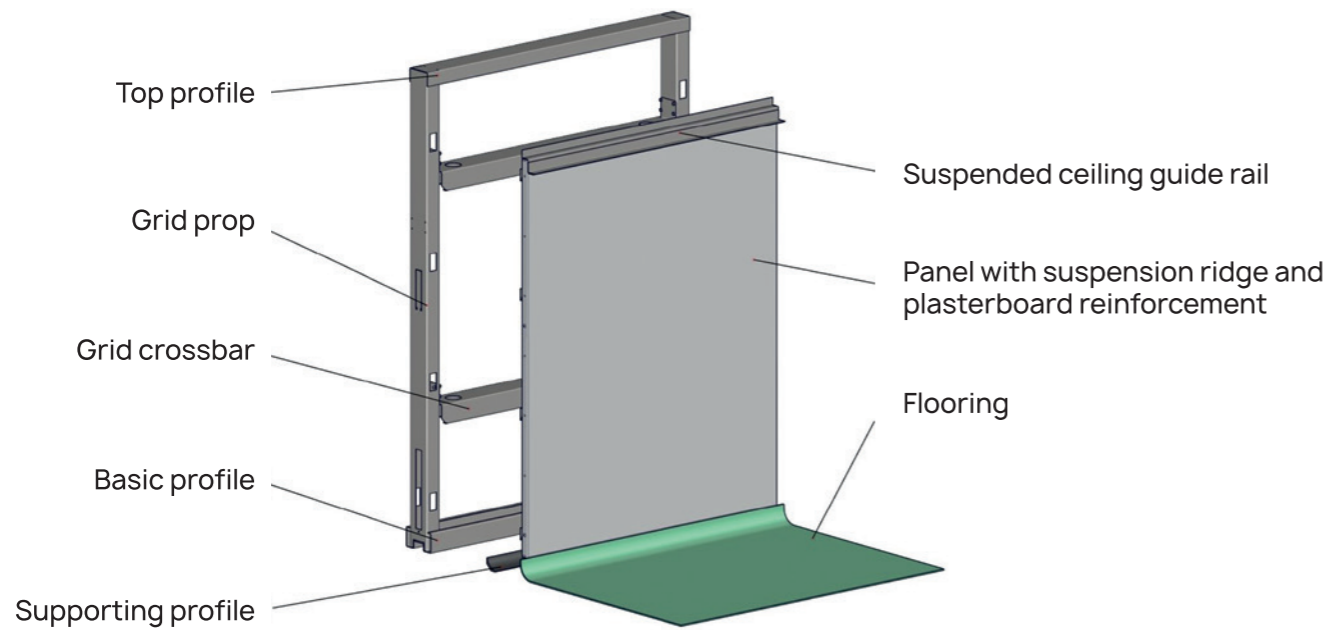
Dimensions:

					WIDTH 1190 mm, 560 mm	HEIGHT 2550 mm, 2750 mm, 3050 mm	WIDTH & HEIGHT Per Customer
32 mm	50 mm	60 mm	80 mm	100 mm			


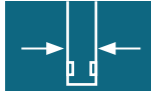
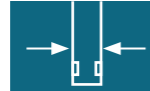


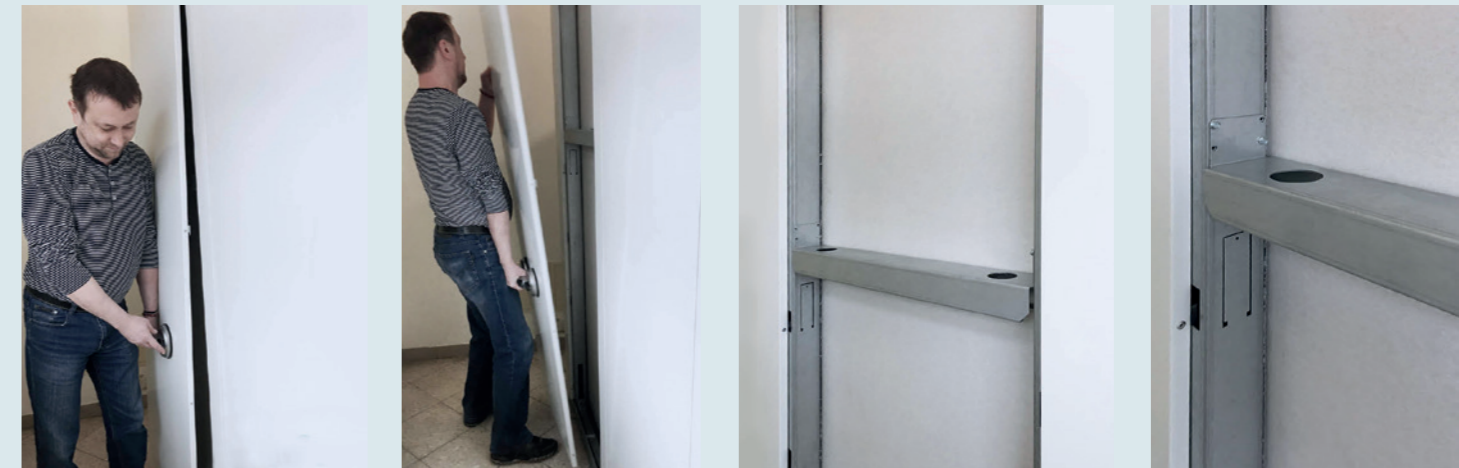
Double-Sided Wall On-Site Assembled System 102.12/A

- This modular, **on-site assembled** partition system features **cladding panels**.
- The partitions can be configured as either **double-sided** or **single-sided** wall cladding and follow a **vertical panel arrangement**.
- Utilities are typically integrated into the partition during assembly or routed through narrower panels when needed.
- Columns are only required in specific situations, such as providing additional structural support or when the wall bears the ceiling load.

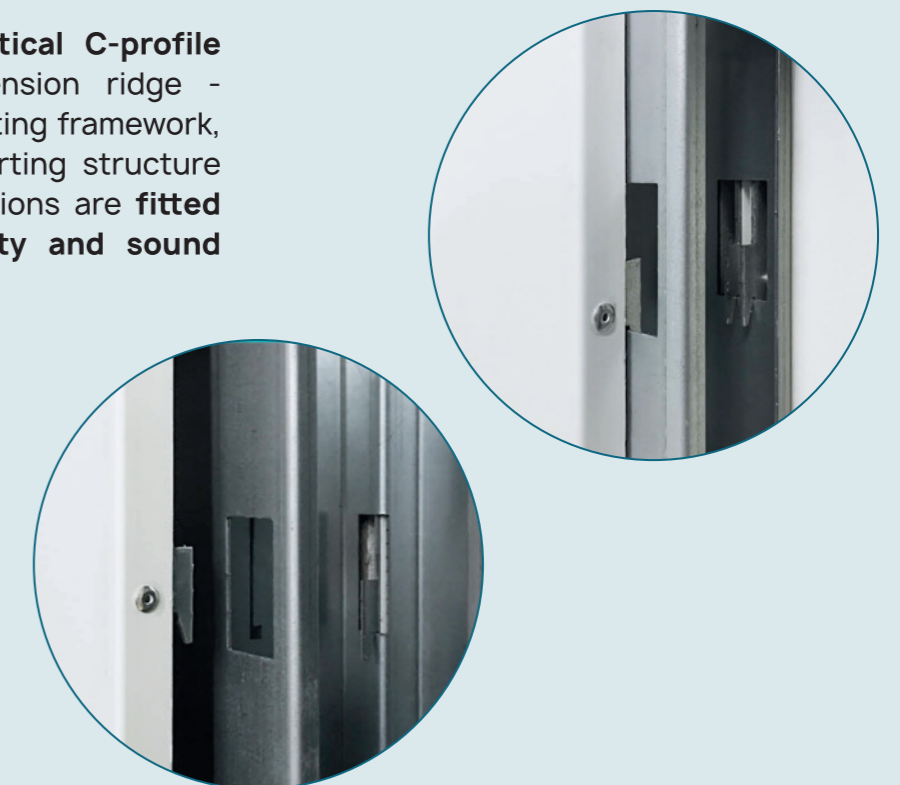


Dimensions:

			WIDTH 1200 mm, 600 mm	HEIGHT 2470 mm, 2970 mm	WIDTH & HEIGHT Per Customer
100 mm	145 mm	170 mm			



Panels are installed on vertical C-profile grid sections with a suspension ridge - settling directly on the supporting framework, snap securely into the supporting structure using hooks. Inside, the partitions are fitted with plasterboard for rigidity and sound insulation.



Surgical System On-Site Assembled System 400/C

- **Modern operating theatres with unique design.**
- A **design** characterized by a **horizontal division of panels into three equally sized bands**, with variations in color and material.
- All three bands can be **easily detached**, enabling **simple integration of new technologies** and adaptation to new trends whenever needed.
- Color, material and design **variability**.
- The system allows for **easy integration** of technology, equipment, cabinets and other components.
- Load-bearing system with steel structure and metal panels.



DESIGN - GRAPHIC PANELS

- To create a pleasant and calming working environment.
- Most often, we incorporate graphic panels created using a new digital printing method, which we apply directly to our metal built-ins.
- Components printed in this way still ensure maximum resistance to disinfectants and possible mechanical damage.

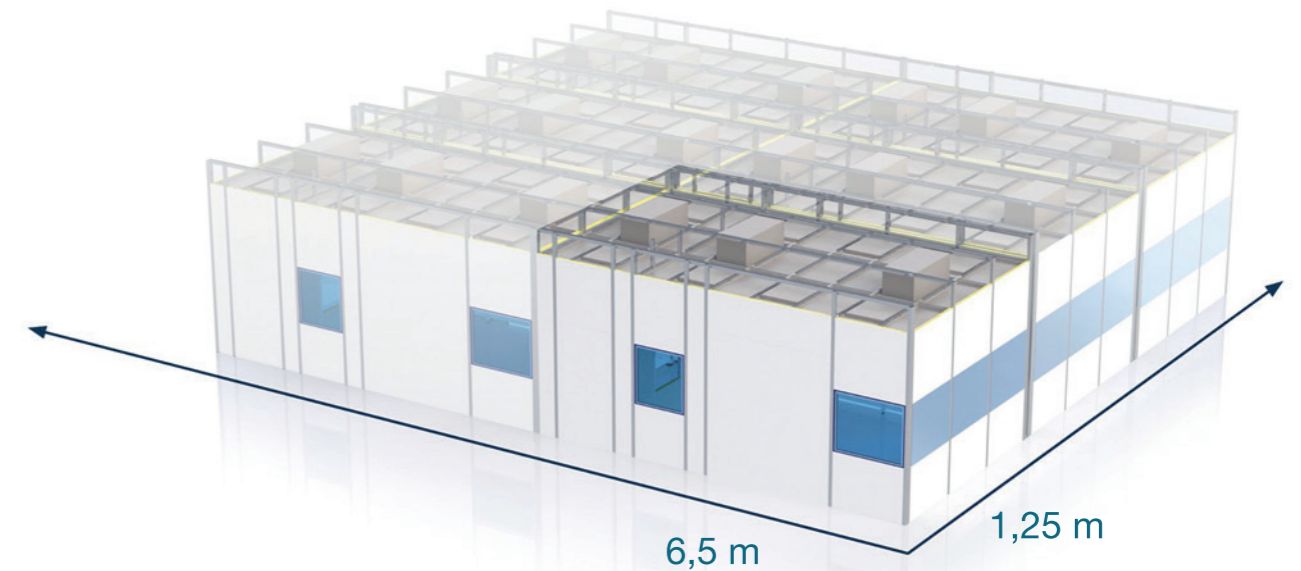
System Using System Aluminum Elements On-Site Assembled System TRK 5700-3300

- **On-site assembled** partition system.
- Frame construction with **aluminum strut profile** (natural color, anodized).
- Wall cladding made of **aluminum composite panel**, both sides.
- Core: foamed polystyrene.
- Low weight, high bending stiffness, good sound insulation.
- Ceiling cladding made of Al-Dibond, white, permanently mounted.
- Filterflow modules for generating overpressure with clean air.



Self-supporting Installations Room-in-room system 102.04/A

- The whole system is self-supporting. Dimensions of the module is **6.5 m x 1.25 m, maximum height: 4 m**.
- **Any number of the modules may be assembled side** by side in both directions.
- Air conditioning:
 - **Option A:** With connection to an air conditioning unit that ensures the parameters of the indoor environment.
 - **Option B:** Air circulation is provided by FFU units; the module does not need any connection to a central HVAC system. This option does not address air humidity in the cleanroom.



Simply Integrated Additional Components

The design of the TIMOTEC wall systems allows the direct integration of technology, equipment and other elements.

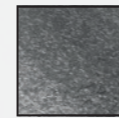
- Windows
- Doors and casings
- End elements of electrical, media and HVAC
- Technology
- Pass-through cabinets
- Built-in multifunctional panels and monitors
- Graphic panels
- And other components

Possibility of gluing horizontal and vertical reinforcements for anchoring shelves, technology, doorframes, etc.



CEILING SYSTEMS

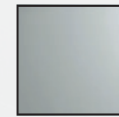
Materials



Galvanized steel sheet



Stainless steel sheet (AISI 304 / AISI 316)



Aluminium sheet

Surface Finishing



POWDER
coating



PVC
laminated



POLYESTER
coating

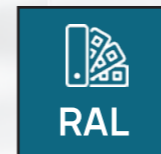


AISI
304
SB
finish

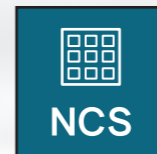


AISI
316
SB
finish

Colors



RAL



NCS

Options

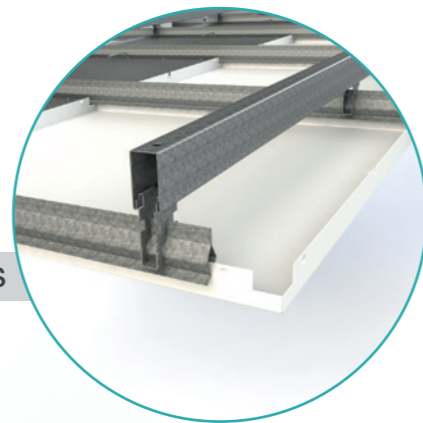


ANTI-
BACTERIAL

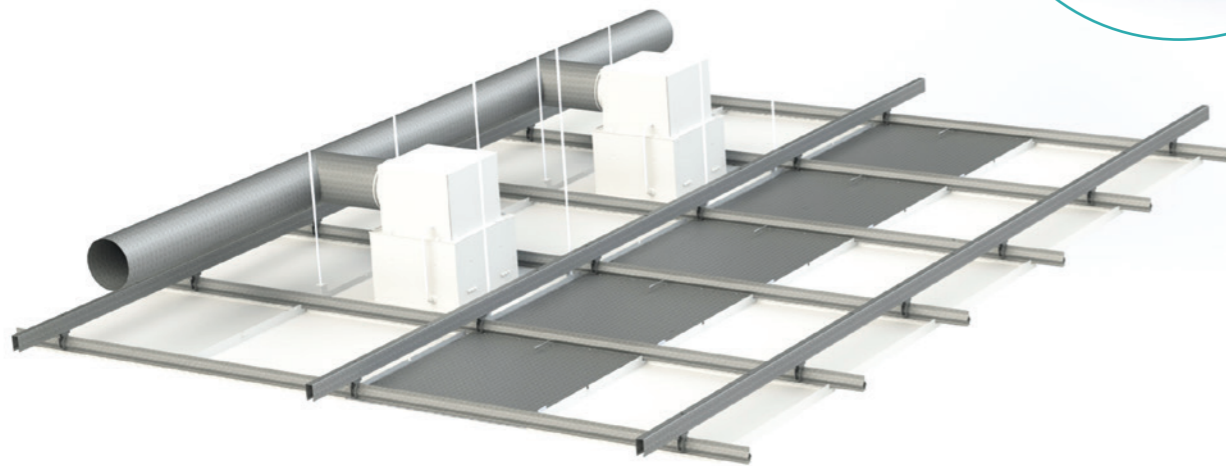
Material & Color

Lightweight Metal Suspended Ceiling 105.01/F

- Lightweight metal suspended ceiling is a lowered **ceiling structure with a concealed suspension system**.
- It consists of **tiles and a suspension grid**. Metal tiles are clicked onto a self-locking edge profile, and they are surface-finished on the visible side. This installation method allows the removal of any of the tiles from the suspension grid and access to the space above the suspended ceiling.
- In the event of **overpressure in the room**, the suspended ceiling is **secured against lifting by a bend of the support**.
- The structure of the suspended ceiling allows for direct mounting of light fixtures, air conditioning adapters, PUROFIL filtration adapters, service tiles and glazed tiles.

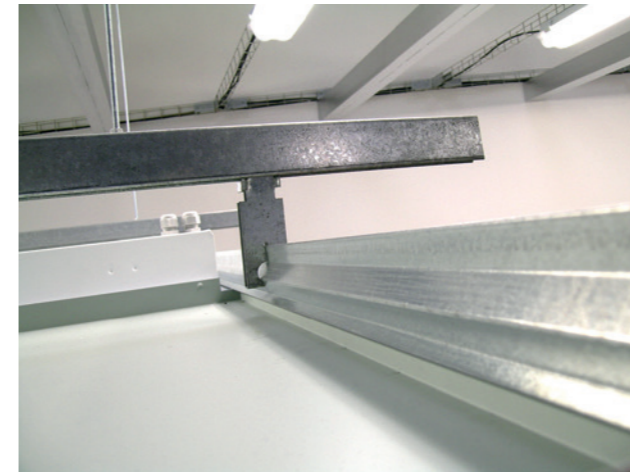
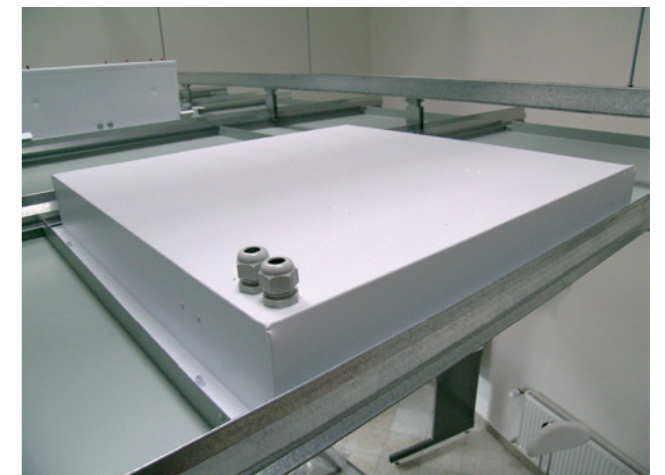


Detail of hanging panels



Dimensions of cassettes in mm:

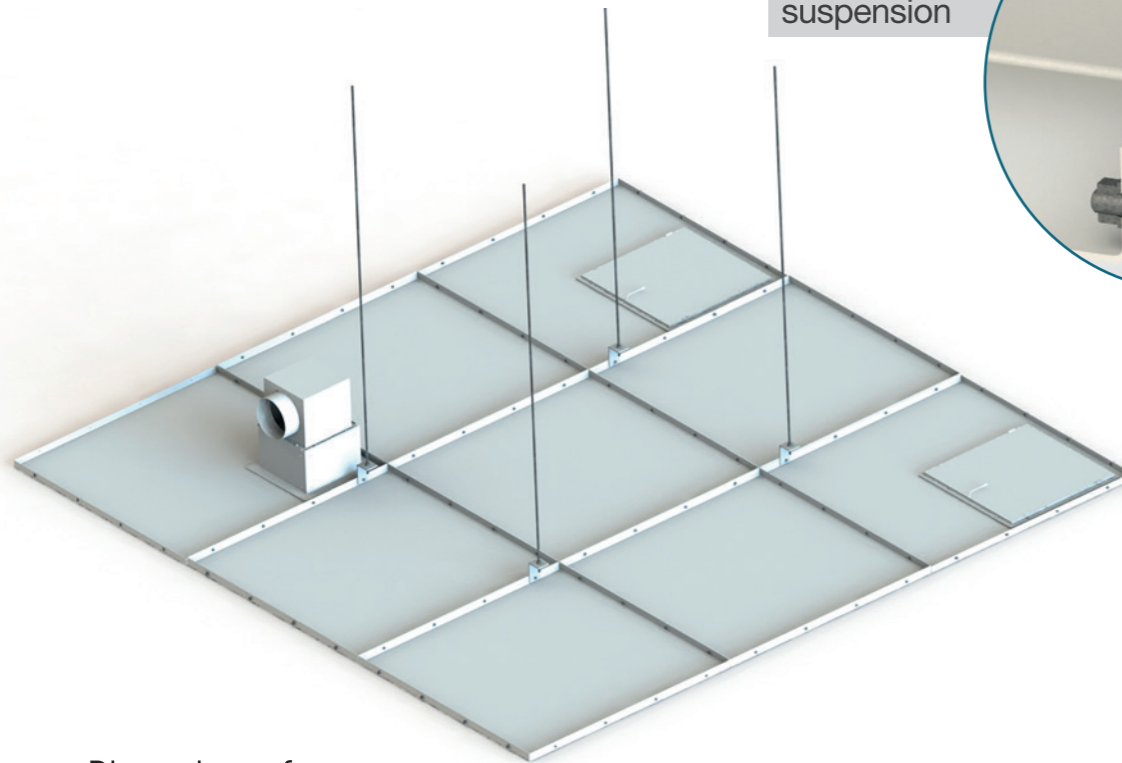
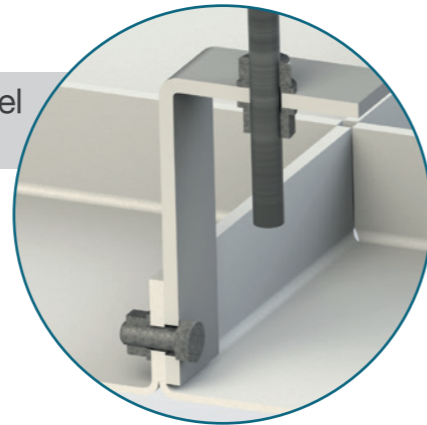
625 625	625 1250	600 312,5	Per Customer
------------	-------------	--------------	-----------------



Walkable Tile Suspended Ceiling 105.07/A

- This walkable tile suspended ceiling is designed for the construction of **suspended ceilings** where **limited movement of persons on the top side** of the suspended ceiling is expected during installation and service work.
- Consists of **sheet metal tiles and suspension brackets**. The cassettes are suspended separately by threaded rods and do not need any other auxiliary support grid.
- The tiles are mounted individually by means of threaded bars and **do not require any auxiliary suspension grid**.
- This ceiling is **hermetically sealed**. This ceiling is airtight even in a negative-pressure cleanroom (underpressurized cleanroom).

Detail of panel suspension

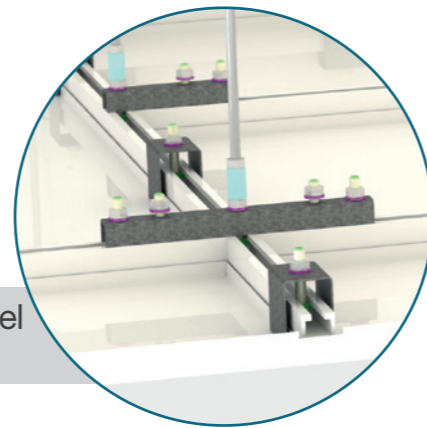


Dimensions of
cassettes in mm:



Modular Suspended Ceiling System 105.02/A

- **With visible grid made of Al profiles.**
- The suspended ceiling consists of aluminum system profiles, metal panel cassettes / metal sandwich panel cassettes and hangers.
- Demountable from the cleanroom side.
- The suspended ceiling is suitable **for negative pressure applications.**
- Can be **walkable, partially walkable, or non-walkable.**



Detail of panel suspension



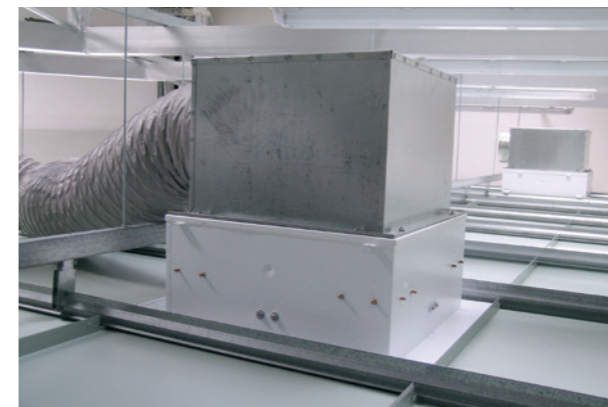
Dimensions of cassettes in mm:



Simply Integrated Additional Components

The construction of the suspended ceilings allows direct installation:

- **Lights**
- **Terminal elements of media and HVAC**
- **PURIFIL terminal diffuser**
- **Circulating units**
- **Graphic panels**
- **and other components**



TIMOTEC

www.timotec.eu

TIMOTEC processes with TÜV SÜD Certification:

ISO 9001:2016

ISO 14001:2016

ISO 45001:2018 (OHS)